



- ### Features
- Intel® Atom™ N2800; Intel® NM10
 - Dual display output
 - Supports DDR3 SODIMM; up to 2GB
 - 1 2.5" SATA drive bay, 1 SD/MMC
 - Supports mSATA via a mini PCIe slot
 - 1 LAN, 1 DVI-I, 1 HDMI, 4 USB, 1 COM, 1 Line-out, 8-bit DIO

- ### Packing List
- 1 DS910-CD system unit
 - 1 HDD drive bay kit
 - 4 HDD screws
 - 1 SATA with power cable
 - 2 Terminal blocks
 - 1 60W power adapter
 - AC input: 100-240V, 50-60Hz
 - DC output: 12V, 5A max (60W max)
 - 1 Quick Installation Guide
 - 1 DVD disk includes:
 - Drivers / Manual

- ### Optional Items
- 1 VESA mount kit
 - 1 VESA mount bracket
 - 2 Wall mount brackets
 - VESA mount bracket screws
 - Wall mount bracket screws
 - 1 Wall mount kit
 - 2 Wall mount brackets
 - Bracket screws
 - 1 Power cord

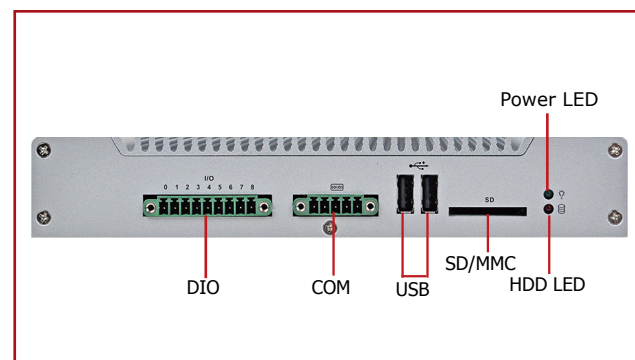
System Specifications

- ### PROCESSOR SYSTEM
- CPU
 - Intel® Atom™ N2800, 1.86GHz, 2x 512M L2, 3.5W TDP, dual-core
 - Chipset
 - Intel® NM10 PCH
- ### MEMORY
- 1 DDR3 800MHz SODIMM
 - Supports up to 2GB memory
 - Single channel memory interface
- ### GRAPHICS
- Intel® GMA 3600
 - Supports 2 independent displays
 - Smooth Video Playback
 - Supports hardware decoders (H.264, VC-1, MPEG-4) with Full HD 1080p video playback capability
 - DVI-I display resolution up to 1920x1200
 - HDMI display resolution up to 1920x1200
 - Dual display outputs
 - DVI-I + HDMI
- ### STORAGE
- 1 2.5" SATA drive bay
 - 1 SD/MMC slot
 - Supports 1 mSATA module via a mini PCIe socket
- ### ETHERNET
- Realtek® RTL8211DL Gigabit Ethernet controller
- ### AUDIO
- Realtek® ALC262 2-channel High Definition Audio
- ### COM
- 1 5-pole RS232 COM terminal block
- ### EXPANSION
- 2 mini PCIe slots
 - One of the slots support mSATA module

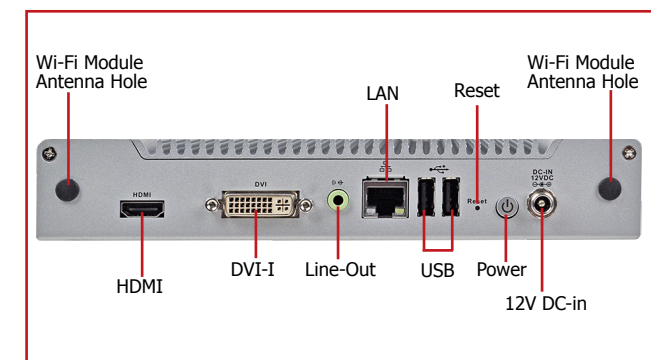
- ### POWER
- Power input voltage
 - +12V DC
- ### ENVIRONMENT
- Temperature
 - Operating: 0°C ~ 45°C
 - Storage: -20°C ~ 70°C
 - Humidity
 - Operating: 10% to 85% non-condensing
 - Storage: 10% to 90% non-condensing
- ### CONSTRUCTION
- Aluminum + SGCC
- ### MOUNTING
- Wall/VESA mount kit
 - brackets and screws (optional)
- ### DIMENSIONS
- 210mm x 35mm x 194.3mm (W x H x D)
- ### WEIGHT
- TBD
- ### OS SUPPORT
- Windows 7, Windows 7 Embedded
- ### OTHER FEATURES
- Watchdog Timer function
- ### CERTIFICATION
- CE
 - FCC Class B

- ### I/O PORTS
- Front Panel
 - 1 9-pole terminal block for 8-bit DIO
 - 1 5-pole RS232 COM terminal block
 - 2 USB 2.0 ports (Type A)
 - 1 SD/MMC slot
 - 1 Power LED
 - 1 HDD LED
 - Rear Panel
 - 1 HDMI
 - 1 DVI-I
 - 1 Line-out
 - 1 LAN
 - 2 USB 2.0 (Type A)
 - 1 Reset button
 - 1 Power button
 - 2 antenna holes
 - 12V DC-in

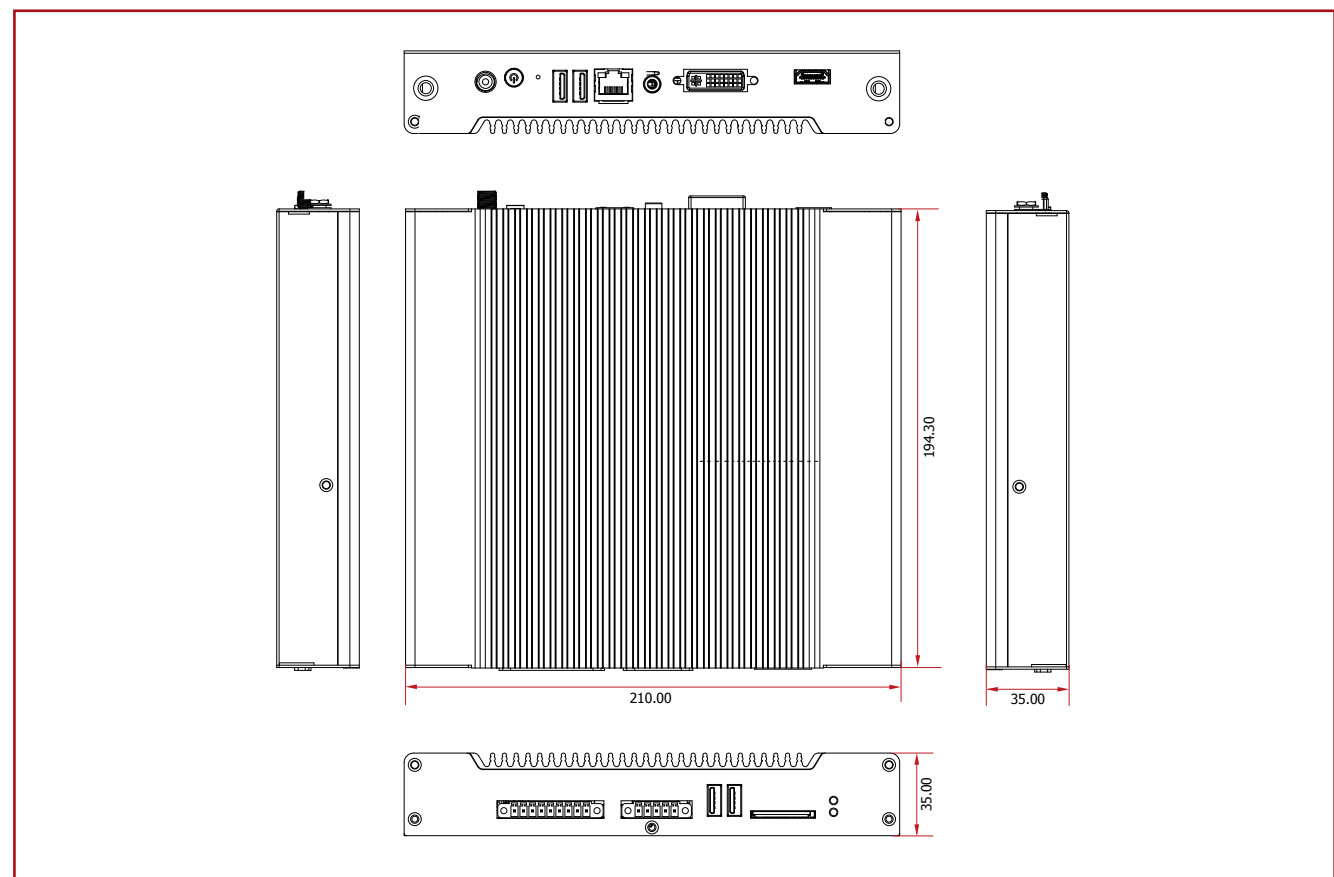
Front Panel



Rear Panel



Dimensions



DFI reserves the right to change the specifications at any time prior to the product's release. Changes thereafter will be based on the product's revision. Please contact your sales representative for the exact revision offered in your area.
www.macroservice.es